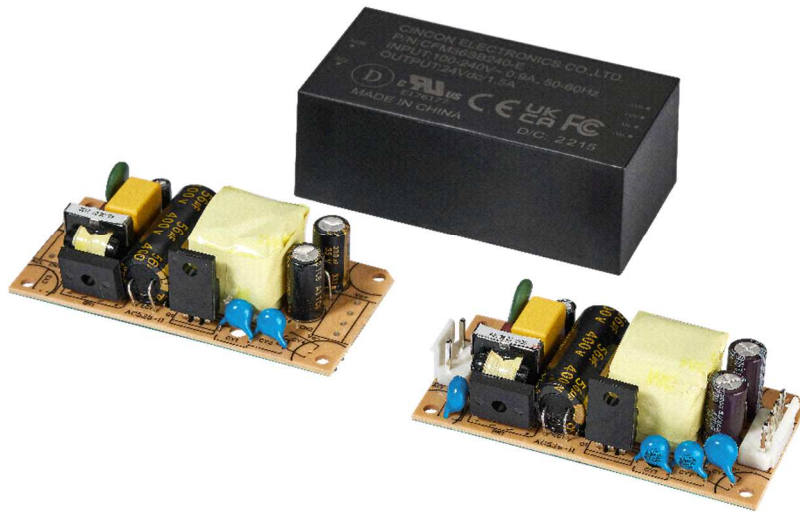




CFM36S Series

Application Note V10

AC-DC Switching Power Module CFM36S Series APPLICATION NOTE



Approved By:

Department	Approved By	Checked By	Written By
Research and Development Department	Ovid	Yang	Shih Hang
Design Quality Department	Benny	JoJo	



CFM36S Series

Application Note V10

Content

1. INTRODUCTION	3
2. ELECTRICAL BLOCK DIAGRAM	3
3. MAIN FEATURES AND FUNCTIONS	4
3.1 <i>Operating Temperature Range</i>	4
3.2 <i>Output Protection</i>	4
4. APPLICATIONS	4
4.1 <i>Test Set-Up</i>	4
4.2 <i>Output Ripple and Noise Measurement</i>	4
4.3 <i>Installation Instruction</i>	5
5. PACKING INFORMATION	6



CFM36S Series

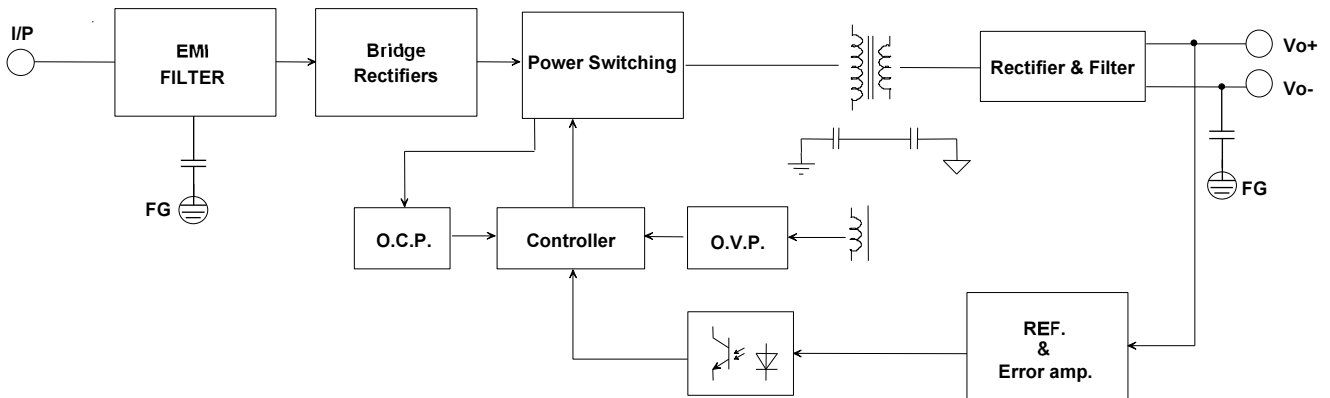
Application Note V10

1. Introduction

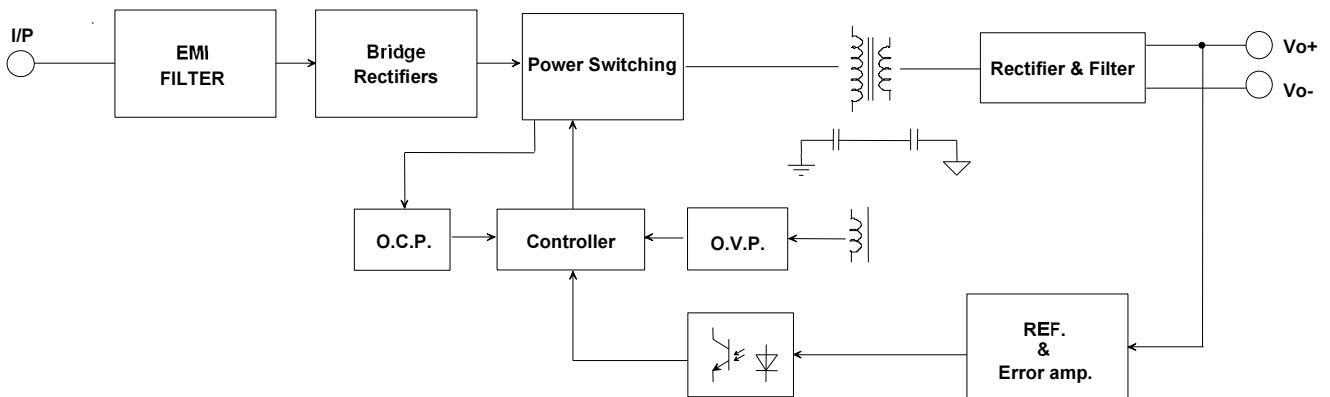
This application note describes the features and functions of Cincon's CFM36S series of open frame, switching AC-DC power module. These are highly efficient, reliable, compact, high power density, single output AC/DC power modules. The module is fully protected against short circuit and over-voltage conditions. Cincon's world class automated manufacturing methods, together with an extensive testing and qualification program, ensure that the CFM36S series power module is extremely reliable.

2. Electrical Block Diagram

For CFM36SAXXX-T:



For CFM36SBXXX(-E/-T):





CFM36S Series

Application Note V10

3. Main Features and Functions

3.1 Operating Temperature Range

The highly efficient design of Cincon's CFM36S series power modules has resulted in their ability to operate within ambient temperature environments from -40°C to 80°C. Due consideration must be given to the de-rating curves when ascertaining the maximum power that can be drawn from the module. The maximum power which can be drawn is influenced by a number of factors, such as:

- Input voltage range
- Permissible output load (per derating curve)

3.2 Output Protection

The power modules provide full continuous short-circuit protection. The unit will auto recover once the short circuit is removed. To provide protection in a fault condition, the unit is equipped with internal over-current protection. The unit will operate normally once the fault condition is removed. The power module will go to hiccup mode if the output current is set from 110% to 180% of rated current.

4. Applications

4.1 Test Set-Up

The basic test set-up to measure parameters such as efficiency and load regulation is shown in Figure 1. When testing the Cincon's CFM36S series under any transient conditions, please ensure that the transient response of the source is sufficient to power the equipment under test. We can calculate the

- Efficiency
- Load regulation and line regulation.

The value of efficiency is defined as:

$$\eta = \frac{V_o \times I_o}{P_{in}} \times 100\%$$

Where:

V_o is output voltage

I_o is output current

P_{in} is input power

The value of load regulation is defined as:

$$Load\ reg. = \frac{V_{FL} - V_{NL}}{V_{NL}} \times 100\%$$

Where:

V_{FL} is the output voltage at 100% full load

V_{NL} is the output voltage at 10% load

The value of line regulation is defined as:

$$Line\ reg. = \frac{V_{HL} - V_{LL}}{V_{LL}} \times 100\%$$

Where:

V_{HL} is the output voltage of maximum input voltage at 100% full load.

V_{LL} is the output voltage of minimum input voltage at 100% full load.

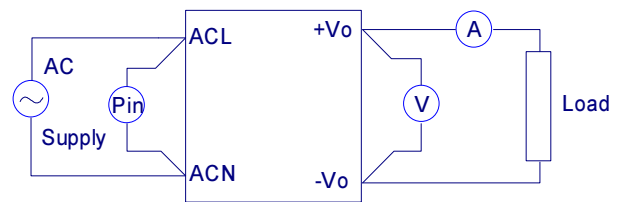


Figure 1. CFM36S Series Test Setup

4.2 Output Ripple and Noise Measurement

The test set-up for noise and ripple measurements is shown in Figure 2 Measured method:

Add a C2=0.1uF ceramic capacitor and a C1=10uF electrolytic capacitor to output at 20 MHz Band Width.

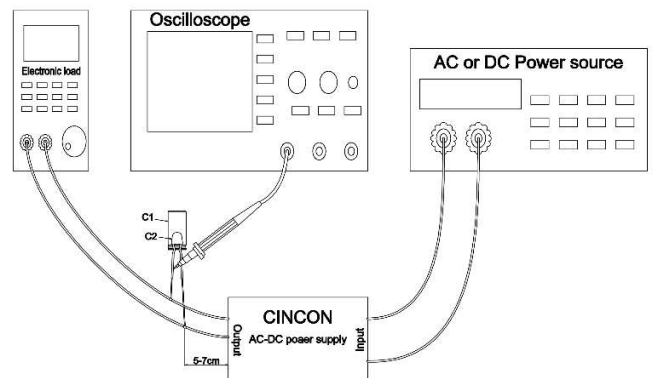


Figure 2. Output Voltage Ripple and Noise Measurement Set-Up



CFM36S Series

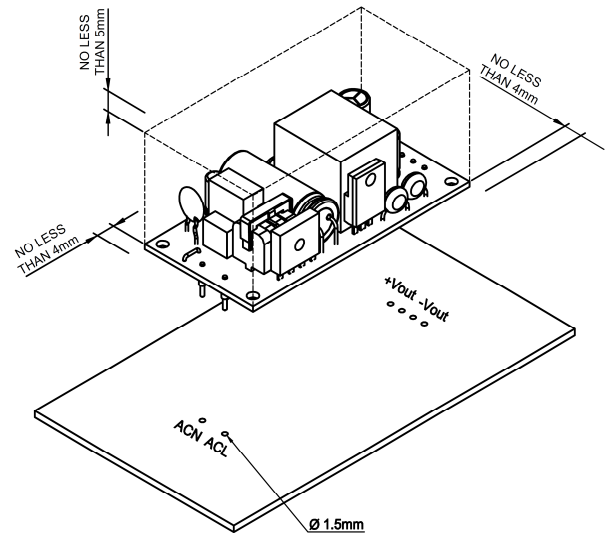
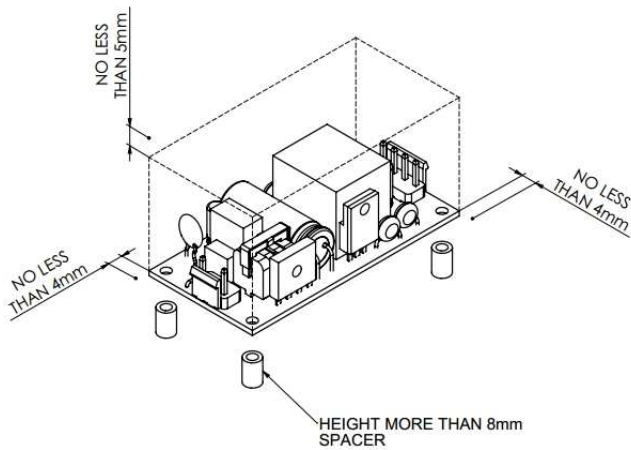
Application Note V10

4.3 Installation Instruction

The CFM36SXXXX-T has four 3.2mm diameter mounting holes. Please use the mounting holes as follows:

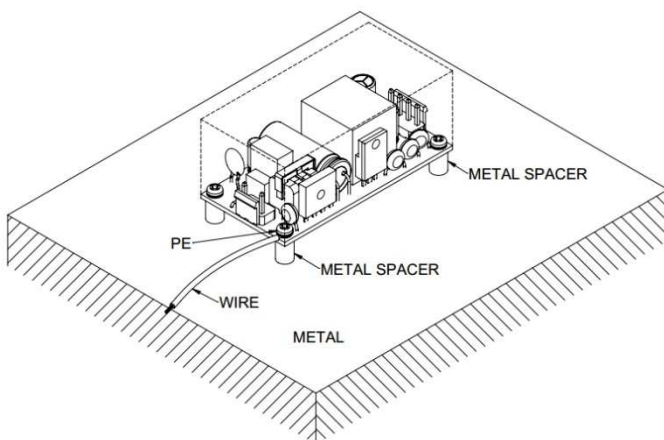
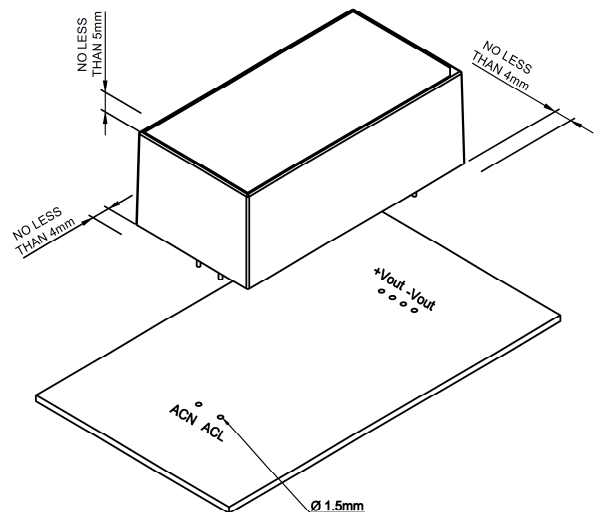
Insert the spacer (6mm diameter max.) of 8mm height or more to mount the unit. The vibration specification applies when the unit is mounted on 8mm spacers. Please allow 4mm side clearance from the components and all side of the PCB. Allow 5mm clearance above the highest parts on the PCB. Be especially careful to allow 8mm between the solder side of the PCB and the mounting surface. If the clearances are not sufficient, the specifications for isolation and withstand will not be valid.

The CFM36SBXXX and CFM36SBXXX-E mounting holes are 1.5mm. Please allow 4mm side clearance from the components and all side of the PCB and CASE. Allow 5mm clearance above the highest parts on the PCB and CASE.



For CFM36SAXXX-T:

FG should be connected to the earth (ground) terminal of the apparatus. If not, the conducted noise and output noise will increase.



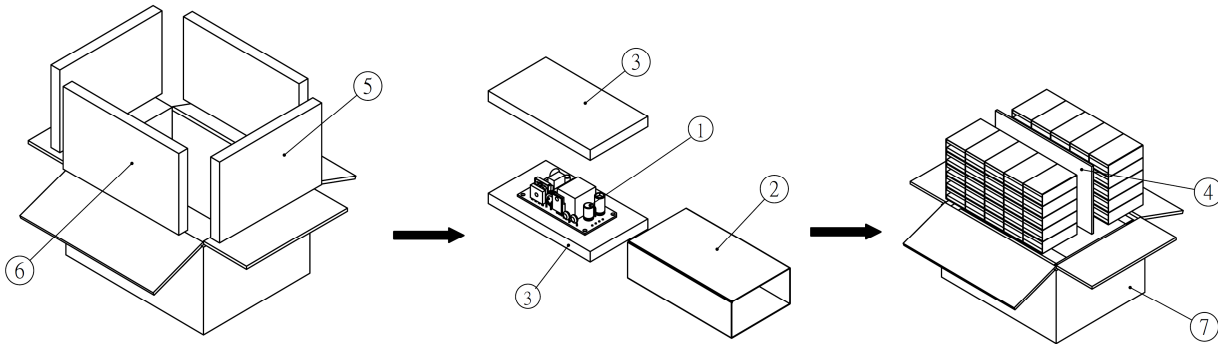


CFM36S Series

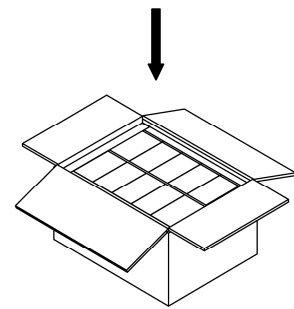
Application Note V10

5. Packing Information

The packing information for CFM36SBXXX series is showing as follows:



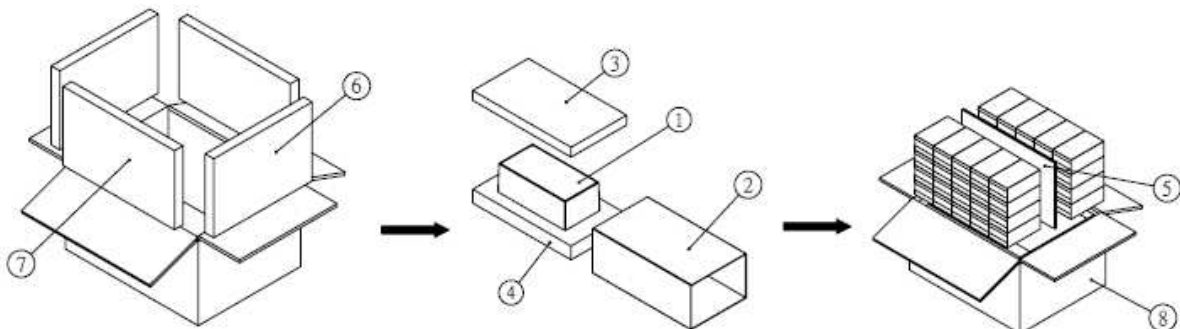
ITEM	PART NO.	NAME	OUTSIDE DIM(mm)	PCS
1	-	CFM36SBXXX Product	76.2x38.1x27.94	50
2	G64304165	Inner Box	115x65x35	50
3	G64308312	Antistatic Foam	115x65x10	100
4	G64U10075	Partition	326x200x6	1
5	G64301115	Antistatic Foam	288x200x25	2
6	G64301114	Antistatic Foam	326x200x25	2
7	G64114347	No.149 Cardboard Box	388x300x220	1



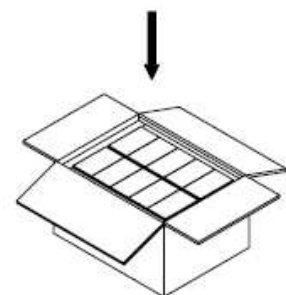
Each Box Packaging 50 PCS Products
Gross weight Ref. 4.6 Kg

CFM36SBXXX 50pcs a box, including the total weight of package material about 4.6Kg

The packing information for CFM36SBXXX-E series is showing as follows:



ITEM	PART NO.	NAME	OUTSIDE DIM(mm)	PCS
1	-	CFM36SBXXX-E Product	78.78x40.68x28.8	40
2	G64304161	Inner Box	115x65x45	40
3	G64308312	Antistatic Foam	115x65x10	40
4	G64301058	Antistatic Foam	115x65x14	40
5	G64U10075	Partition	326x200x6	1
6	G64301115	Antistatic Foam	288x200x25	2
7	G64301114	Antistatic Foam	326x200x25	2
8	G64114347	No.149 Cardboard Box	388x300x220	1



Each Box Packaging 40 PCS Products
Gross weight Ref. 8.2 Kg

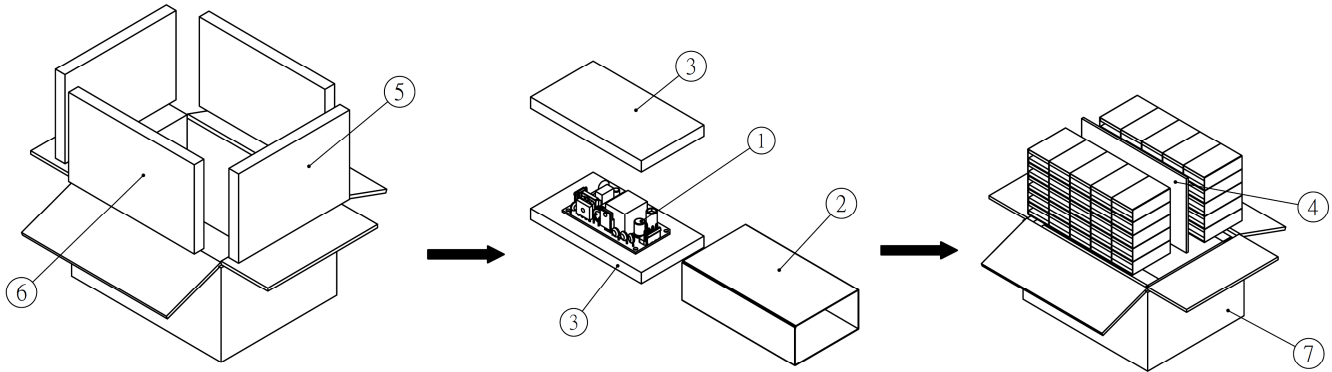
CFM36SBXXX-E 40 pcs a box, including the total weight of package material about 8.2Kg



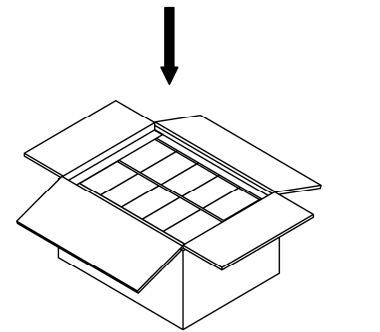
CFM36S Series

Application Note V10

The packing information for CFM36SXXXX-T series is showing as follows:



ITEM	PART NO.	NAME	OUTSIDE DIM(mm)	PCS
1	-	CFM36SXXXX-T Product	76.2x38.1x25.4	50
2	G64304165	Inner Box	115x65x35	50
3	G64308312	Antistatic Foam	115x65x10	100
4	G64U10075	Partition	326x200x6	1
5	G64301115	Antistatic Foam	288x200x25	2
6	G64301114	Antistatic Foam	326x200x25	2
7	G64114347	No.149 Cardboard Box	388x300x220	1



Each Box Packaging 50 PCS Products
Gross weight Ref. 4.7 Kg

CFM36SXXXX-T 50pcs a box, including the total weight of package material about 4.7Kg

CINCON ELECTRONICS CO., LTD.

Headquarters:

14F, No.306, Sec.4, Hsin Yi Rd.
Taipei, Taiwan
Tel: 886-2-27086210
Fax: 886-2-27029852
E-mail: sales@cincon.com.tw
Web Site: <http://www.cincon.com>

Factory:

No. 8-1, Fu Kung Rd.
Fu Hsing Industrial Park
Fu Hsing Hsiang,
Chang Hua Hsien, Taiwan
Tel: 886-4-7690261
Fax: 886-4-7698031

Cincon North America:

1655 Mesa Verde Ave. Ste 180
Ventura, CA 93003
Tel: 805-639-3350
Fax: 805-639-4101
E-mail: info@cincon.com