



CFM60C Series

Application Note V11

AC-DC Switching Power Module

CFM60C Series

APPLICATION NOTE



Approved By:

Department	Approved By	Checked By	Written By
Research and Development Department	Ovid	Yang	Pei Xun
Design Quality Department	Benny	JoJo	



CFM60C Series

Application Note V11

Content

1. INTRODUCTION	3
2. ELECTRICAL BLOCK DIAGRAM	3
3. MAIN FEATURES AND FUNCTIONS	4
3.1 <i>Operating Temperature Range</i>	4
3.2 <i>Output Protection</i>	4
4. APPLICATIONS	4
4.1 <i>Test Set-Up</i>	4
4.2 <i>Output Ripple and Noise Measurement</i>	4
4.3 <i>Installation Instruction</i>	5
5. PACKING INFORMATION	6



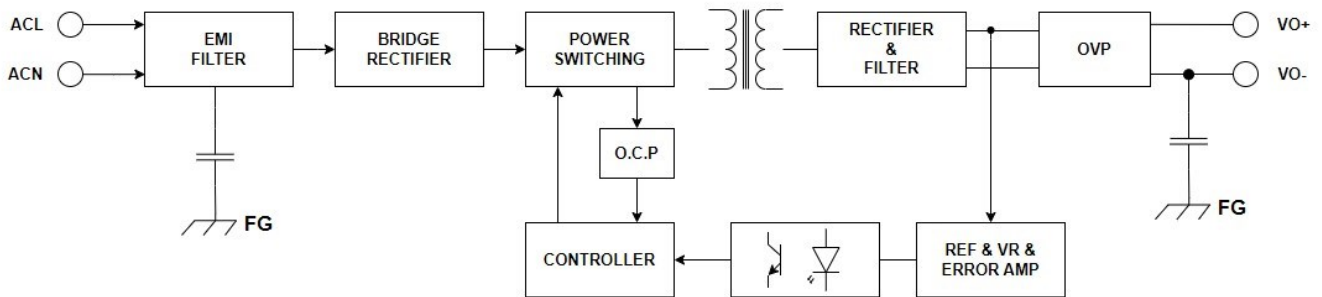
CFM60C Series

Application Note V11

1. Introduction

This application note describes the features and functions of Cincon's CFM60C series of DIN rail, switching AC-DC power module. These are highly efficient, reliable, compact, high power density, single output AC/DC power modules. The module is fully protected against short circuit and over-voltage conditions. Cincon's world class automated manufacturing methods, together with an extensive testing and qualification program, ensure that the CFM60C series power module is extremely reliable.

2. Electrical Block Diagram





CFM60C Series

Application Note V11

3. Main Features and Functions

3.1 Operating Temperature Range

The highly efficient design of Cincon's CFM60C series power modules has resulted in their ability to operate within ambient temperature environments from 0°C to 50°C. Due consideration must be given to the de-rating curves when ascertaining the maximum power that can be drawn from the module. The maximum power which can be drawn is influenced by a number of factors, such as:

- Input voltage range
- Permissible output load (per derating curve)
- Effective heat sinks

3.2 Output Protection

The power modules provide full continuous short-circuit protection. The unit will auto recover once the short circuit is removed. To provide protection in a fault condition, the unit is equipped with internal over-current protection. The unit will operate normally once the fault condition is removed. The power module will go to hiccup mode if the output current is set from 120% to 180% of rated current.

4. Applications

4.1 Test Set-Up

The basic test set-up to measure parameters such as efficiency and load regulation is shown in Figure 1. When testing the Cincon's CFM60C series under any transient conditions, please ensure that the transient response of the source is sufficient to power the equipment under test. We can calculate the

- Efficiency
- Load regulation and line regulation

The value of efficiency is defined as:

$$\eta = \frac{V_o \times I_o}{P_{in}} \times 100\%$$

Where:

- V_o is output voltage,
- I_o is output current,
- P_{in} is input current

The value of load regulation is defined as:

$$Load\ reg. = \frac{V_{FL} - V_{NL}}{V_{NL}} \times 100\%$$

Where:

- V_{FL} is the output voltage at 100% full load
- V_{NL} is the output voltage at 10% load

The value of line regulation is defined as:

$$Line\ reg. = \frac{V_{HL} - V_{LL}}{V_{LL}} \times 100\%$$

Where:

- V_{HL} is the output voltage of maximum input voltage at full load
- V_{LL} is the output voltage of minimum input voltage at full load

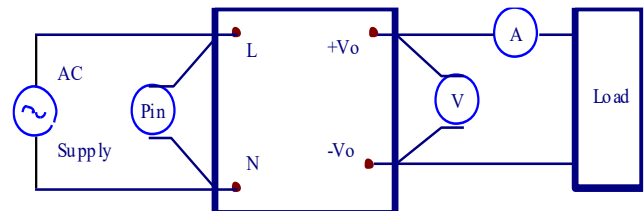


Figure 1. CFM60C Series Test Setup

4.2 Output Ripple and Noise Measurement

The test set-up for noise and ripple measurements is shown in Figure 2. Measured method: Add a C2: 0.1 uF ceramic capacitor and a C1: 10 uF electrolytic capacitor to output at 20 MHz Band Width.

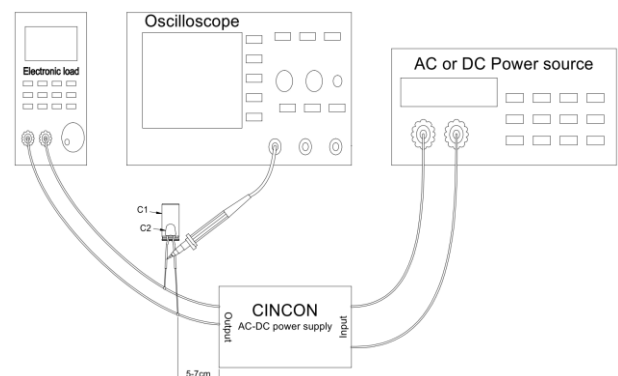


Figure 2. Output Voltage Ripple and Noise Measurement Set-Up

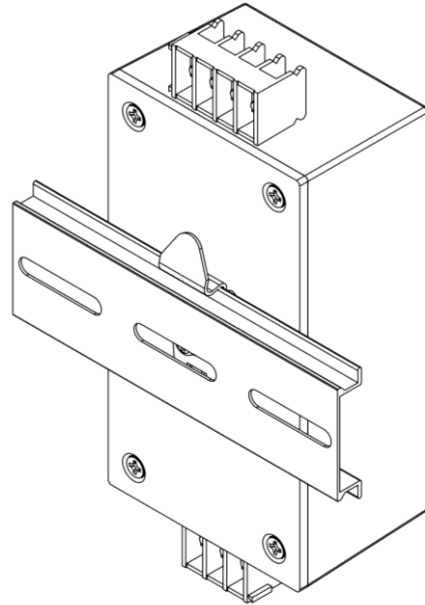
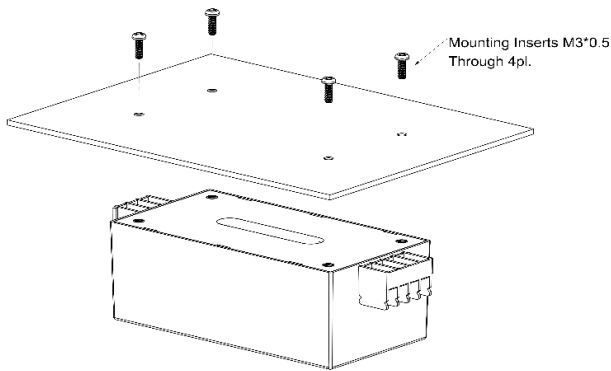


CFM60C Series

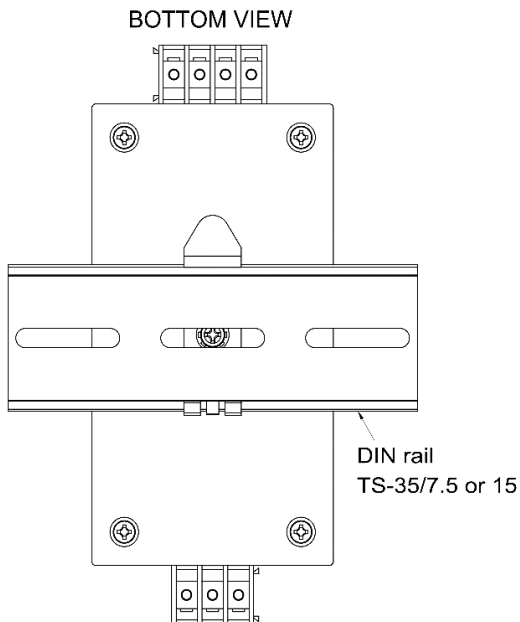
Application Note V11

4.3 Installation Instruction

The CFM60C has four screw holes M3 * 0.5, used fixed CFM60C in customer specified place. Please use the mounting holes as follows:



The CFM60CXXX-DR should be fixed vertical forward. In small vibration environment, fixed in this way is most convenient and easy to maintain. Please use the DIN Rail TS-35/7.5 or 15 as follows:



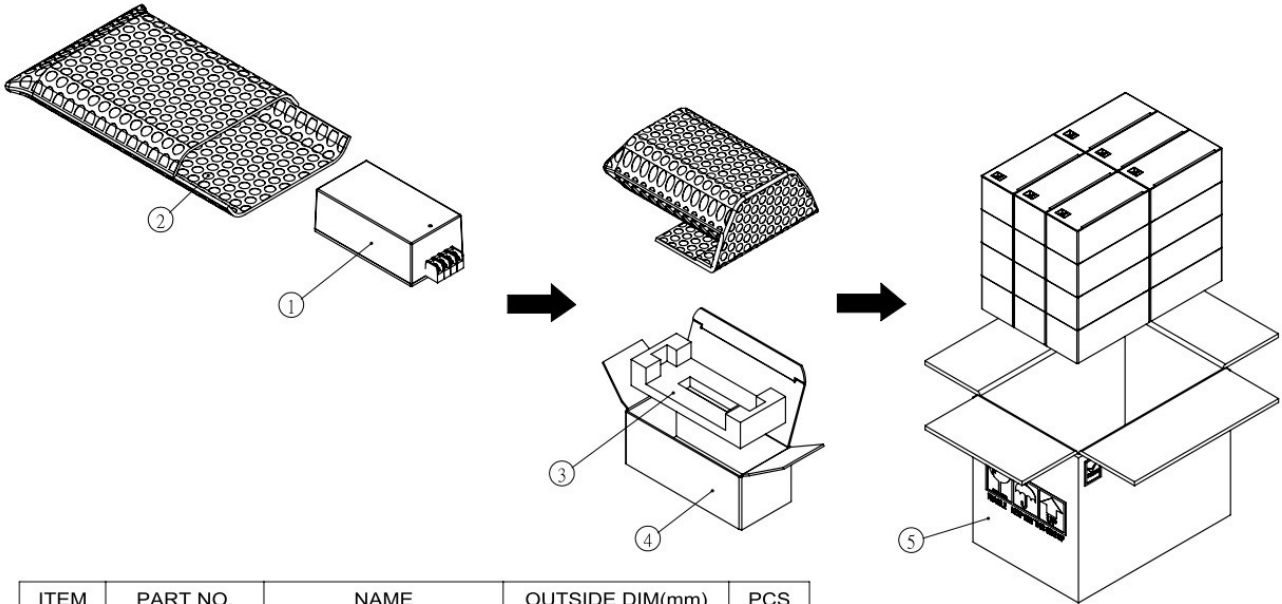


CFM60C Series

Application Note V11

5. Packing Information

The packing information for CFM60CXXX-DR series is showing as follows:



ITEM	PART NO.	NAME	OUTSIDE DIM(mm)	PCS
1		CFM60CXXX-DR	138x59x48.1	24
2	G64F00006	Antistatic Bag	185x155x65	24
3	G64301086	Antistatic Foam	155x64x32	24
4	G64205307	Inner Box	164x73x65	24
5	G64100355	No.78 Cardboard Box	345.4x239.4x284.8	1

Each Box Packaging 24 PCS Products
Gross weight Ref. 13.4 Kg

Headquarters:

14F, No.306, Sec.4, Hsin Yi Rd.
Taipei, Taiwan
Tel: 886-2-27086210
Fax: 886-2-27029852
E-mail: sales@cincon.com.tw
Web Site: <https://www.cincon.com>

CINCON ELECTRONICS CO., LTD.

Factory:

No. 8-1, Fu Kung Rd.
Fu Hsing Industrial Park
Fu Hsing Hsiang,
Chang Hua Hsien, Taiwan
Tel: 886-4-7690261
Fax: 886-4-7698031

Cincon North America:

1655 Mesa Verde Ave. Ste 180
Ventura, CA 93003
Tel: 805-639-3350
Fax: 805-639-4101
E-mail: info@cincon.com