



CQB75W8 CMFC(D)Series Application Note V11

ISOLATED DC-DC CONVERTER CHASSIS MOUNT CQB75W8-36SXX-CMFC(D) SERIES APPLICATION NOTE



Approved By:

Department	Approved By	Checked By	Written By
Research and Development Department	Jacky	Danny	Tony
Design Quality Department	Benny	JoJo	



CQB75W8 CMFC(D)Series Application Note V11

Contents

1. Introduction	3
2. Pin Function Description	3
3. Terminal Block	3
4. Connection for Standard Use	4
5. Test Set-Up	4
6. Features and Functions	4
6.1 UVLO (Under Voltage Lock Out)	4
6.2 Over Current/Short Circuit Protection	4
6.3 Output Over Voltage Protection	5
6.4 Over Temperature Protection	5
6.5 Remote On/Off	5
6.6 Output Remote Sensing	6
6.7 Output Voltage Adjustment	6
7. Input / Output Considerations	7
7.1 Hold Up Time	7
7.2 Output Ripple and Noise	7
7.3 Output Capacitance	7
7.4 Input Derating Curve	8
8. Series and Parallel Operation	8
8.1 Series Operation	8
8.2 Parallel Operation	8
8.3 Redundant Operation	8
9. Thermal Design	9
9.1 Operating Temperature Range	9
9.2 Convection Requirements for Cooling	9
9.3 Thermal Considerations	9
9.4 Power Derating	9
9.5 Heat Sink	13
10. Safety & EMC	14
10.1 Input Fusing and Safety Considerations	14
10.2 EMC Considerations	14



CQB75W8 CMFC(D)Series

Application Note V11

1. Introduction

The CQB75W8-36SXX-CMFC(D) series of chassis mountable DC-DC converters offers 75 watts of output power @ single output voltages of 12, 15, 24, 28, 48VDC. It has a wide (8:1) input voltage range of 9.5 to 75VDC (36VDC nominal) and 3000VAC reinforce isolation.

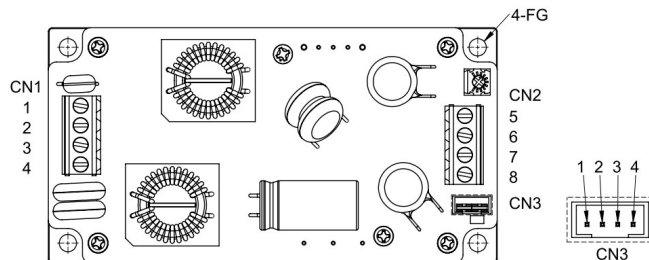
High efficiency up to 90%, allowing case operating temperature range of -40°C to 105°C. An optional heat sink is available to extend the full power range of the unit. Very low no load power consumption (12mA), an ideal solution for energy critical systems.

Compliant with EN50155, EN45545, EN50121-3-2. The standard control functions include remote on/off (positive or negative) and +15%, -20% adjustable output voltage.

Fully protected against input UVLO (under voltage lock out), output over-current, output over-voltage, over-temperature and continuous short circuit conditions.

CQB75W8-36SXX-CMFC(D) series is designed primarily for common railway applications of 24V, 36V, 48V, nominal voltage and also suitable for distributed power architectures, telecommunications, battery operated equipment and industrial applications.

2. Pin Function Description



No	CN1&CN2	Description	Reference
1	+V Input	Positive Supply Input	Section 7.1/7.4
2	-V Input	Negative Supply Input	Section 7.1/7.4
3	Remote	External Remote On/Off Control	Section 6.5
4	Case	Connected to Base Plate	
5	+V Output	Positive Power Output	Section 7.2/7.3
6	+V Output	Positive Power Output	Section 7.2/7.3
7	-V Output	Negative Power Output	Section 7.2/7.3
8	-V Output	Negative Power Output	Section 7.2/7.3
--	--	Clear Mounting Insert (FG)	Section 9.5

No	CN3	Description	Reference
1	-V Output	Negative Power Output	Section 7.2/7.3
2	-Sense	Negative Output Remote Sense	Section 6.6
3	+Sense	Positive Output Remote Sense	Section 6.6
4	+V Output	Positive Power Output	Section 7.2/7.3

Note: Base plate can be connected to FG through Ø4.5 mounting insert. Recommended torque 9.6~12.8Kgf-cm.

3. Terminal Block

Input and Output Terminal Block

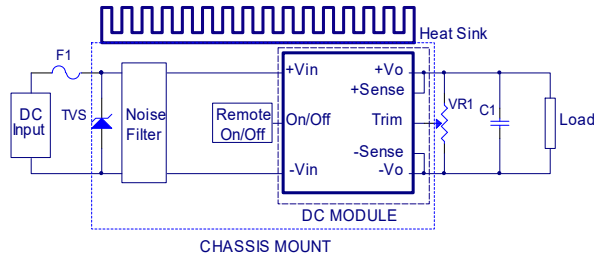
Terminal Type	Screw Torque Value (Kgf-cm)	Suitable Electric Wire (AWG)	Current Rating (max.)
EK500V-04P or Equivalent	5	12-24	20A



CQB75W8 CMFC(D)Series Application Note V11

4. Connection for Standard Use

The connection for standard use is shown below. An external output capacitors (C1) is recommended to reduce output ripple and noise, output capacitor recommended 1 uF ceramic capacitor for all models.



Symbol	Component	Reference
F1, TVS	Input fuse, TVS	Section 10.1
Noise Filter	Internal input noise filter	Section 10.2
Remote On/Off	External Remote On/Off control	Section 6.5
Trim	Internal output voltage adjustment By variable resistor	Section 6.7
Heat sink	External heat sink	Section 9.4/9.5
+Sense/-Sense	--	Section 6.6

5. Test Set-Up

The basic test set-up to measure parameters such as efficiency and load regulation is shown below. When testing the modules under any transient conditions please ensure that the transient response of the source is sufficient to power the equipment under test. We can calculate:

- Efficiency
- Load regulation and line regulation

The value of efficiency is defined as:

$$\eta = \frac{V_o \times I_o}{V_{in} \times I_{in}} \times 100\%$$

Where:

- V_o is output voltage,
- I_o is output current,
- V_{in} is input voltage,
- I_{in} is input current.

The value of load regulation is defined as:

$$Load\ reg. = \frac{V_{FL} - V_{NL}}{V_{NL}} \times 100\%$$

Where:

- V_{FL} is the output voltage at full load.
- V_{NL} is the output voltage at no load.

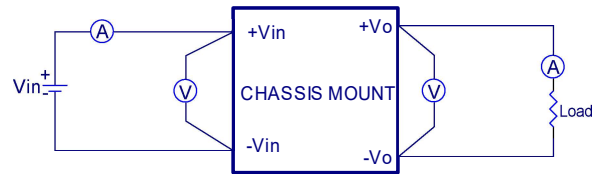
The value of line regulation is defined as:

$$Line\ reg. = \frac{V_{HL} - V_{LL}}{V_{LL}} \times 100\%$$

Where:

V_{HL} is the output voltage of maximum input voltage at full load.

V_{LL} is the output voltage of minimum input voltage at full load.

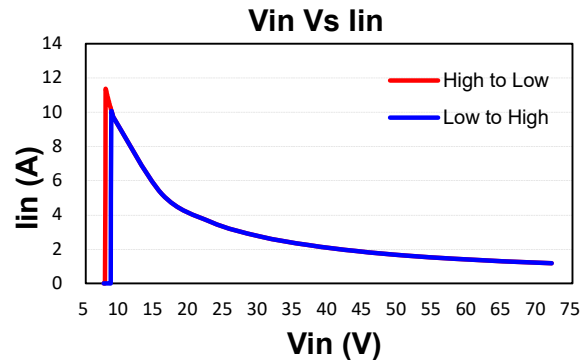


CQB75W8-36SXX-CMFC(D) Series Test Setup

6. Features and Functions

6.1 UVLO (Under Voltage Lock Out)

Input under voltage lockout is standard on the CQB75W8-36SXX-CMFC(D) series unit. The unit will shut down when the input voltage drops below a threshold, and the unit will operate when the input voltage goes above the upper threshold.

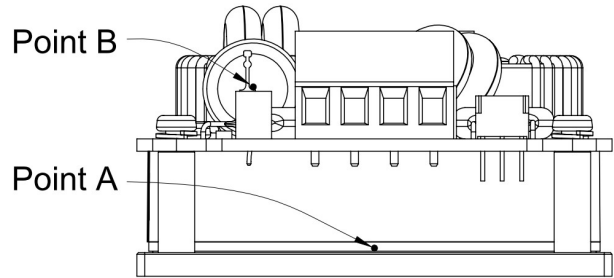
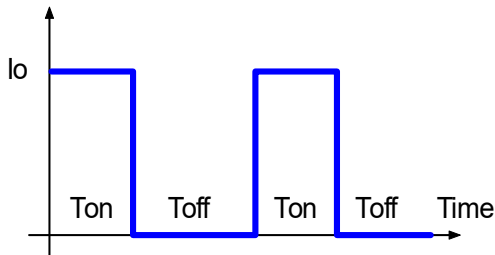
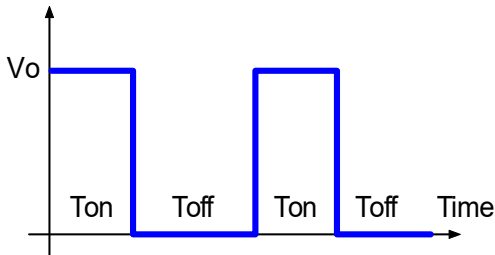


6.2 Over Current/Short Circuit Protection

All models have internal over current and continuous short circuit protection. The unit operates normally once the fault condition is removed. At the point of current limit inception, the converter will go into hiccup mode protection.



CQB75W8 CMFC(D)Series Application Note V11



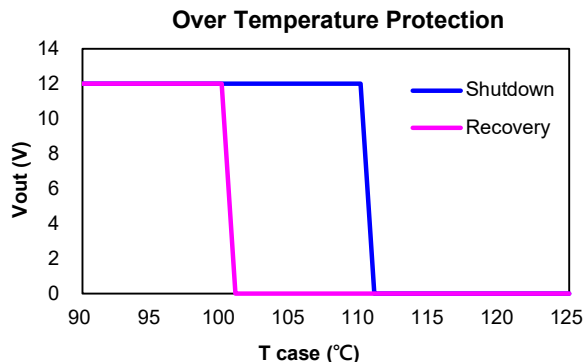
6.3 Output Over Voltage Protection

The output over voltage protection consists of circuitry that internally limits the output voltage. If more accurate output over voltage protection is required, then an external circuit can be used via the remote on/off pin.

Note: Please note that device inside the power supply might fail when voltage more than rate output voltage is applied to output pin. This could happen when the customer tests the over voltage protection of unit.

6.4 Over Temperature Protection

These modules have an over temperature protection circuit to safeguard against thermal damage. Shutdown occurs with the maximum case reference temperature is exceeded. The module will restart when the case temperature falls below over temperature recovery threshold. Please measured at point A (measuring point A refer to the following figure).



6.5 Remote On/Off

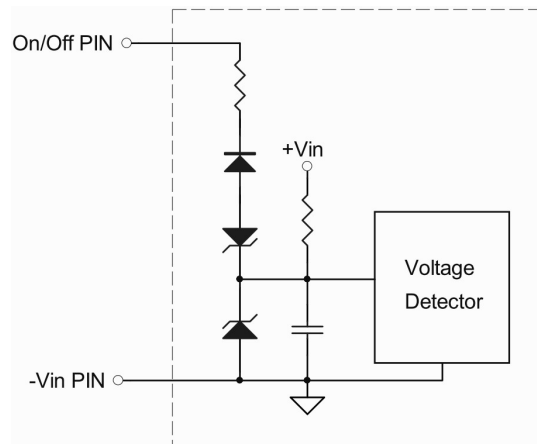
The CQB75W8-36SXX-CMFC(D) series allows the user to switch the module on and off electronically with the remote On/Off feature. All models are available in "positive logic" and "negative logic" (optional) versions. The converter turns on if the remote On/Off pin is high ($>4.0V_{dc}$ to $75V_{dc}$ or open circuit). Setting the pin low (0 to $<1.0V_{dc}$) will turn the converter off. The signal level of the remote On/Off input is defined with respect to ground.

If not using the remote On/Off pin, leave the pin open (converter will be on).

Models with part number suffix "N" are the "negative logic" remote On/Off version. The unit turns off if the remote On/Off pin is high ($>4.0V_{dc}$ to $75V_{dc}$ or open circuit). The converter turns on if the On/Off pin input is low (0 to $<1.0V_{dc}$). Note that the converter is off by default.

Logic State (CN1 Pin 3)	Negative Logic	Positive Logic
Logic Low	Module on	Module off
Logic High	Module off	Module on

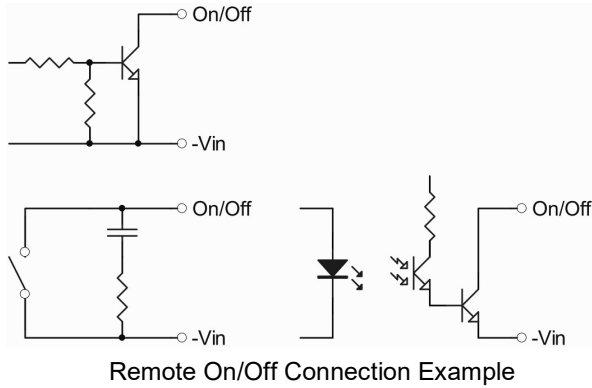
The converter remote On/Off circuit built-in on input side. The ground pin of input side Remote On/Off circuit is -Vin pin. Inside connection sees below.



Connection examples see below.



CQB75W8 CMFC(D)Series Application Note V11

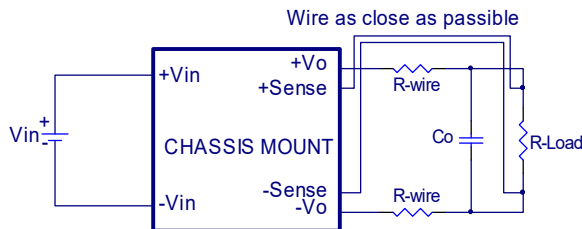


6.6 Output Remote Sensing

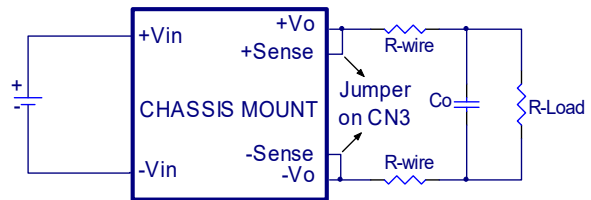
The CQB75W8-36SXX-CMFC(D) series converter has the capability to remotely sense both lines of its output. This feature moves the effective output voltage regulation point from the output of the unit to the point of connection of the remote sense pins. This feature automatically adjusts the real output voltage of the CQB75W8-36SXX-CMFC(D) series in order to compensate for voltage drops in distribution and maintain a regulated voltage at the point of load. The remote-sense voltage range is:

$$[(+V_{out}) - (-V_{out})] - [(+Sense) - (-Sense)] \leq 15\% \text{ of } V_{o_nominal}$$

When remote sensing is used, please remove the jumper of CN3 and the sense should be connected by twisted-pair wire or shield wire. If the sensing patterns short, heavy current flows and the pattern may be damaged. Output voltage might become unstable because of impedance of wiring and load condition when length of wire is exceeding 400mm. This is shown in the schematic below.



When the CMFC module are shipped from a factory, they come with a dedicated jumper being mounted on CN3. If the remote sense feature is not to be used, the sense pins should be connected locally. The +Sense pin should be connected to the +Vout pin at the module and the -Sense pin should be connected to the -Vout pin at the module. Wire between +Sense and +Vout and between -Sense and -Vout as short as possible. Loop wiring should be avoided. The converter might become unstable by noise coming from poor wiring. This is shown in the schematic below.



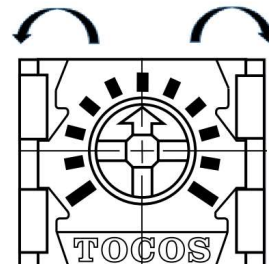
Note:

Although the output voltage can be varied (increased or decreased) by both remote sense and trim, the maximum variation for the output voltage is the larger of the two values not the sum of the values. The output power delivered by the module is defined as the voltage at the output terminals multiplied by the output current. Using remote sense and trim can cause the output voltage to increase and consequently increase the power output of the module if output current remains unchanged. Always ensure that the output power of the module remains at or below the maximum rated power. Also be aware that if V_{o_set} is below nominal value, P_{out_max} will also decrease accordingly because I_{o_max} is an absolute limit. Thus, $P_{out_max} = V_{o_set} \times I_{o_max}$ is also an absolute limit.

6.7 Output Voltage Adjustment

Output voltage can be adjusted by internal variable resistor (adjustment range: +15% to -20% of nominal output). Turning internal variable resistor clockwise reduces the output voltage and counterclockwise increases the output voltage.

counterclockwise clockwise





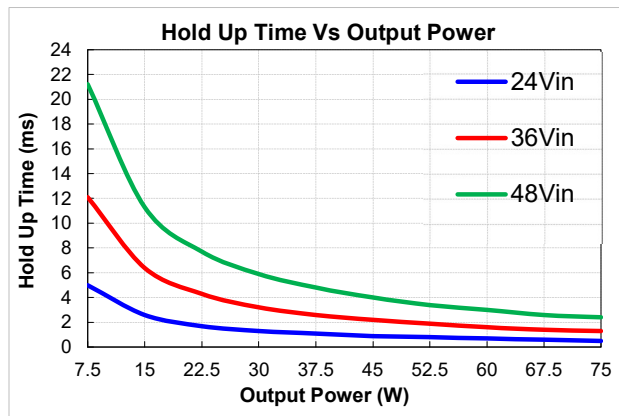
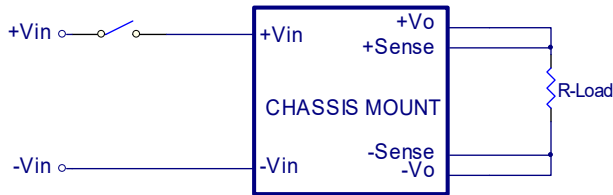
CQB75W8 CMFC(D)Series Application Note V11

7. Input / Output Considerations

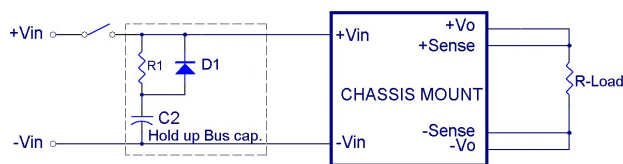
7.1 Hold Up Time

Hold up time is defined as the duration of time that DC/DC converter output will remain active following a loss of input power.

The test condition and test curve refer to following figures.



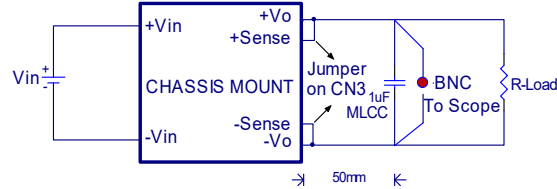
The external circuit about extend hold up time refer to following figure.



D1:100V/10A
R1:100Ω/10W

C2	24Vin	36Vin	48Vin
Hold up time for 10ms	4000uF	1500uF	750uF
Hold up time for 30ms	12200uF	4900uF	2600uF

7.2 Output Ripple and Noise

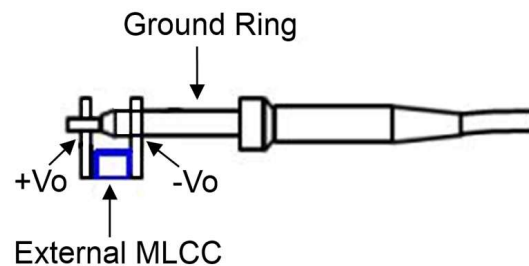


Output ripple and noise measured with 1uF ceramic capacitors across output. A 20 MHz bandwidth oscilloscope is normally used for the measurement.

The conventional ground clip on an oscilloscope probe should never be used in this kind of measurement. This clip, when placed in a field of radiated high frequency energy, acts as an antenna or inductive pickup loop, creating an extraneous voltage that is not part of the output noise of the converter.



Another method is shown in below, in case of coaxial-cable/BNC is not available. The noise pickup is eliminated by pressing scope probe ground ring directly against the -Vout terminal while the tip contacts the +Vout terminal. This makes the shortest possible connection across the output terminals.



7.3 Output Capacitance

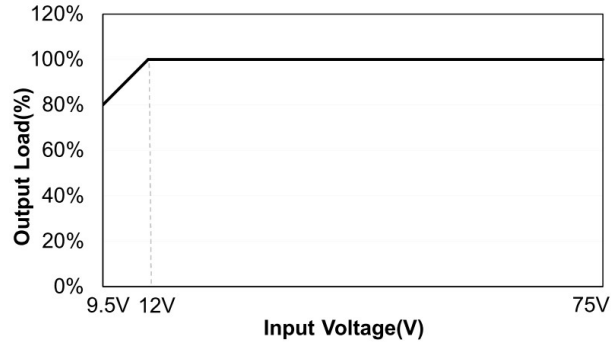
The CQB75W8-36SXX-CMFC(D) series converters provide unconditional stability with or without external capacitors. For good transient response, low ESR output capacitors should be located close to the point of load (<100mm). PCB design emphasizes low resistance and inductance tracks in consideration of high current applications. Output capacitors with their associated ESR values have an impact on loop stability and bandwidth. Cincon's converters are designed to work with load capacitance to see technical specifications.



CQB75W8 CMFC(D)Series Application Note V11

7.4 Input Derating Curve

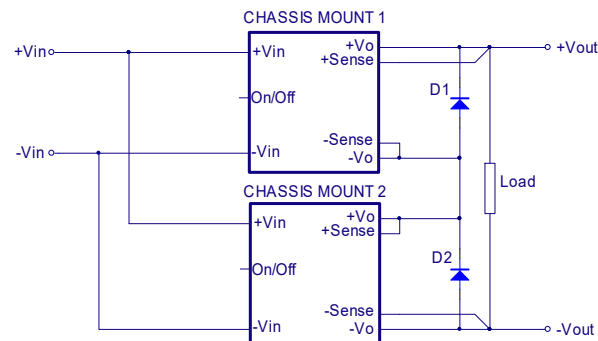
CQB75W8-36SXX-CMFC(D) series has Derating by Input Voltage is required shown below.



8. Series and Parallel Operation

8.1 Series Operation

Series operation is possible by connecting the outputs two or more units. Connection is shown in below. The output current in series connection should be lower than the lowest rate current in each power module.

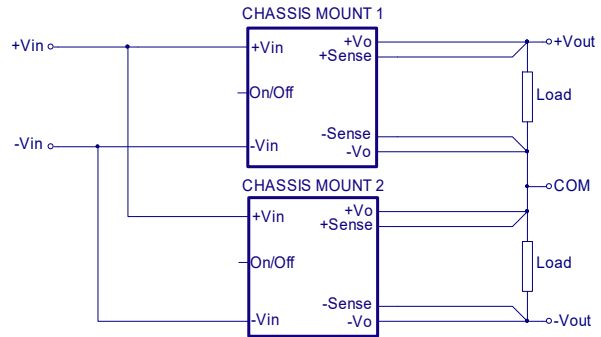


Simple Series Operation Connect Circuit

Note:

Recommend Schottky diode (D1, D2) be connected across the output of each series connected converter, so that if one converter shuts down for any reason, then the output stage won't be thermally overstressed. Without this external diode, the output stage of the shut-down converter could carry the load current provided by the other series converters, with its MOSFETs conducting through the body diodes. The MOSFETs could then be overstressed and fail. The external diode should be capable of handling the full load current for as long as the application is expected to run with any unit shut down.

Series for \pm output operation is possible by connecting the outputs two units, as shown in the schematic below.



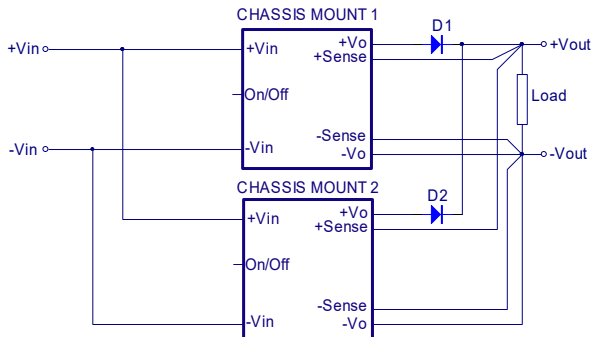
Simple \pm Output Operation Connect Circuit

8.2 Parallel Operation

The CQB75W8-36SXX-CMFC(D) series parallel operation is not possible.

8.3 Redundant Operation

Parallel for redundancy operation is possible by connecting the units as shown in the schematic below. The current of each converter become unbalance by a slight difference of the output voltage. Make sure that the output voltage of units of equal value and the output current from each power supply does not exceed the rate current. Suggest use an internal variable resistor to adjust output voltage from each power supply.



Simple Redundant Operation Connect Circuit



CQB75W8 CMFC(D)Series

Application Note V11

9. Thermal Design

9.1 Operating Temperature Range

The CQB75W8-36SXX-CMFC(D) series converters can be operated within a wide case temperature range of -40°C to 105°C. Consideration must be given to the derating curves when ascertaining maximum power that can be drawn from the converter. The maximum power drawn from chassis mount models is influenced by usual factors, such as:

- Input voltage range
- Output load current
- Forced air or natural convection
- Heat sink optional

9.2 Convection Requirements for Cooling

To predict the approximate cooling needed for the chassis mount module, refer to the power derating curves in **section 9.4**. These derating curves are approximations of the ambient temperatures and airflows required to keep the power module temperature below its maximum rating. Once the module is assembled in the actual system, the module's aluminum plate (point A) and aluminum capacitor (point B) temperature should be monitored to ensure it does not exceed 105°C (measuring point A and measuring point B refer to the **section 6.4**).

9.3 Thermal Considerations

The power module operates in a variety of thermal environments; however, sufficient cooling should be provided to help ensure reliable operation of the unit. Heat is removed by conduction, convection, and radiation to the surrounding environment. The example is presented in **section 9.4**. The power output of the module should not be allowed to exceed rated power ($V_{o_set} \times I_{o_max}$).

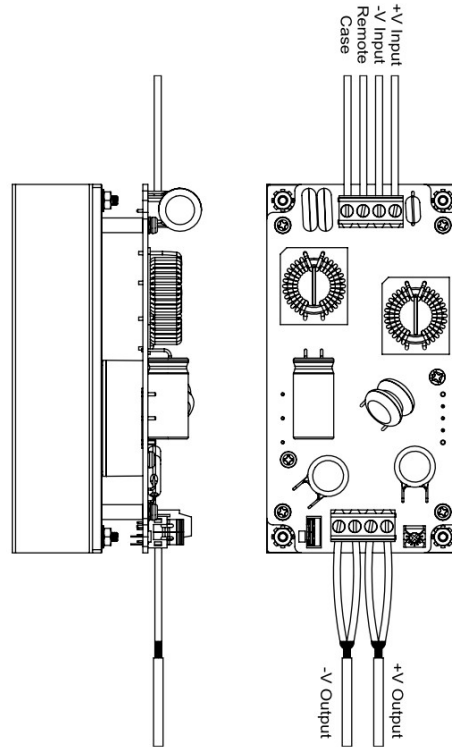
9.4 Power Derating

The operating case temperature range of CQB75W8-36SXX-CMFC(D) series is -40°C to +105°C. When operating the CQB75W8-36SXX-CMFC(D) series, proper derating or cooling is needed. The point A and point B maximum temperature under any operating condition should not exceed 105°C (point A and point B refer to the **section 6.4**). The following curve is the de-rating curve of CQB75W8-36SXX-CMFC(D) series with heat sink at nominal V_{in} and Natural Convection.

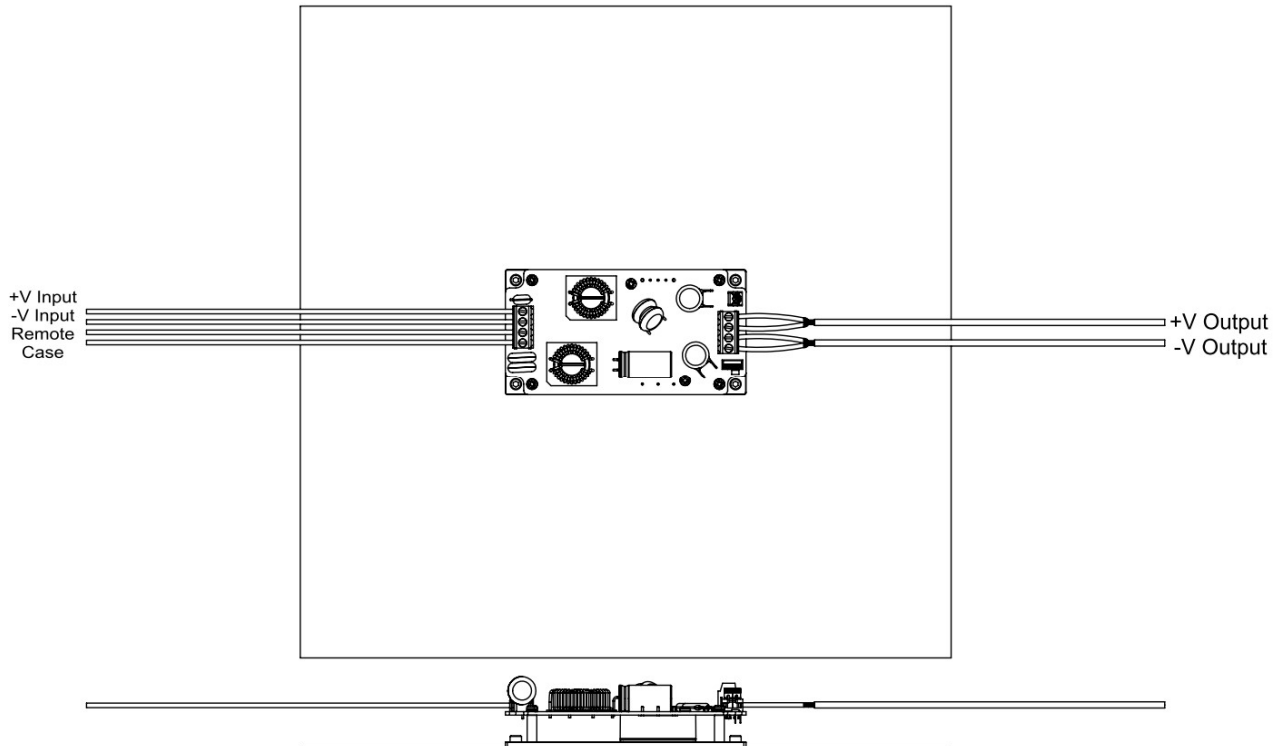


CQB75W8 CMFC(D)Series Application Note V11

The test condition refer to following figures.



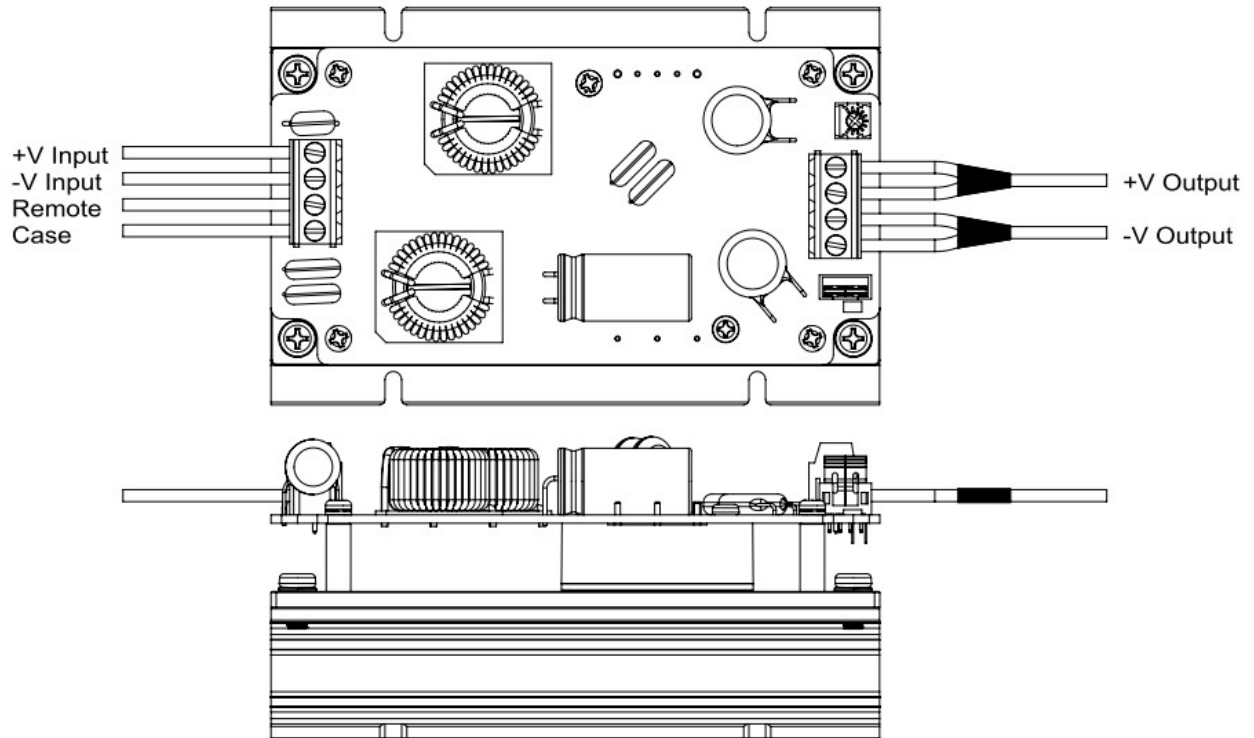
Figures 1 CQB75W8-36SXX-CMFC with Heat Sink FBL254



Figures 2 CQB75W8-36SXX-CMFC with Heat Sink Iron Plate (17x17x0.04 inch)



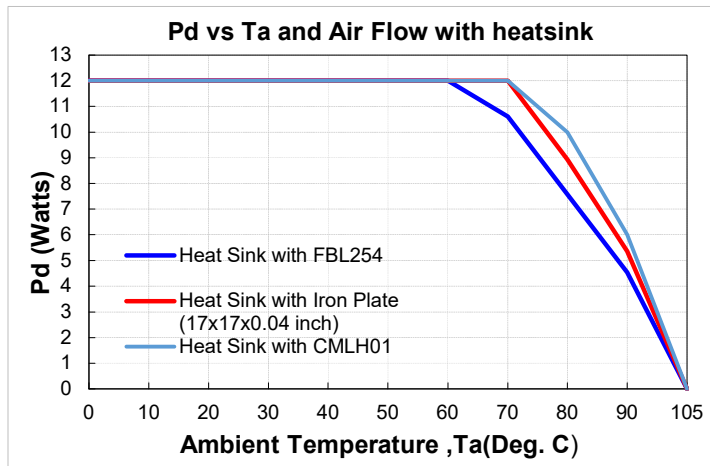
CQB75W8 CMFC(D)Series Application Note V11



Figures 3 CQB75W8-36SXX-CMFC with Heat Sink CMLH01



CQB75W8 CMFC(D)Series Application Note V11



AIR FLOW RATE	TYPICAL R _{ca}
Heat Sink with FBL254	3.3 °C/W
Heat Sink with Iron Plate (17x17x0.04 inch)	2.8 °C/W
Heat Sink with CMLH01	2.5 °C/W

Example:

What is the minimum airflow necessary for a CQB75W8-36S12-CMFC with heat sink FBL254 (M-B012) operating at nominal line voltage, an output current of 6.25A, and a maximum ambient temperature of 65°C?

Solution:

Given: $V_{in} = 36V_{dc}$, $V_o = 12V_{dc}$, $I_o = 6.25A$

Determine Power dissipation (P_d): $P_d = P_i - P_o = P_o(1-\eta)/\eta$, $P_d = 12 \times 6.25 \times (1-0.9)/0.9 = 8.33Watts$

Determine airflow: Given: $P_d = 8.33W$ and $T_a = 65^\circ C$

Check Power Derating curve: Heat sink with FBL254 (M-B012)

Verify:

Maximum temperature rise is $\Delta T = P_d \times R_{ca} = 8.33 \times 3.3 = 27.5^\circ C$

Maximum case temperature is $T_c = T_a + \Delta T = 92.5^\circ C < 105^\circ C$

Where:

The R_{ca} is thermal resistance from case to ambient environment.

T_a is ambient temperature and T_c is case temperature.

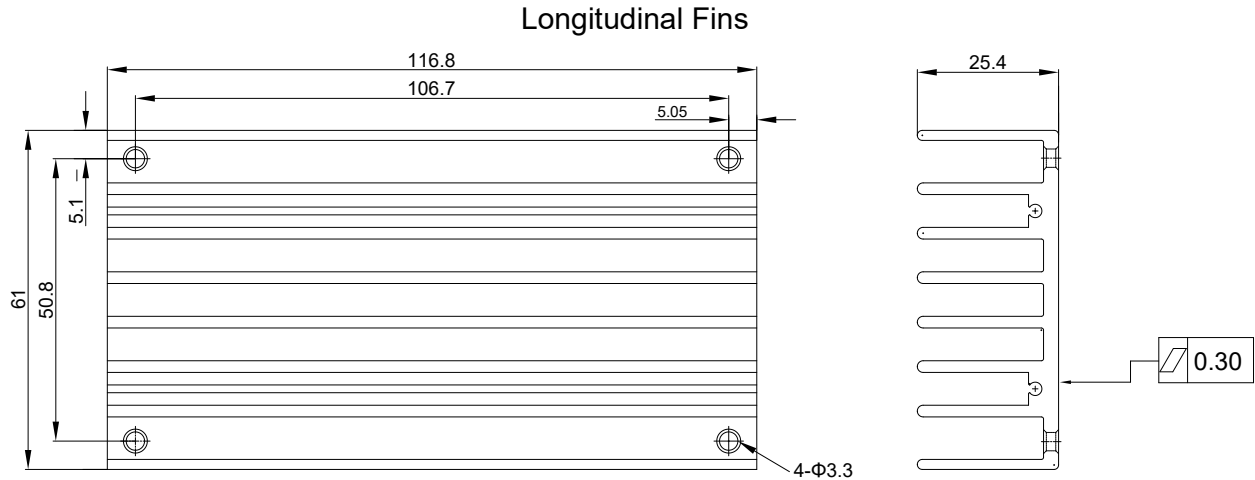


CQB75W8 CMFC(D)Series Application Note V11

9.5 Heat Sink

Heat Sink FBL254 (M-B012)

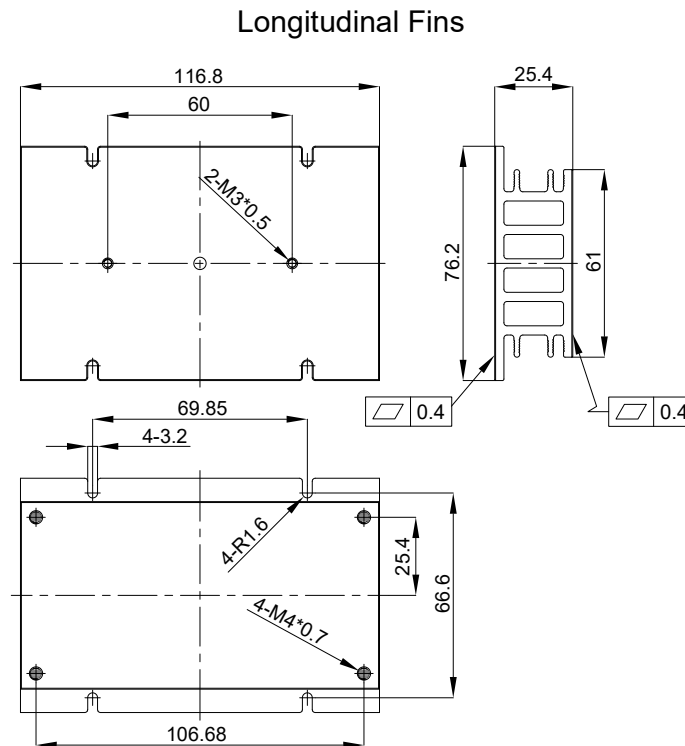
All Dimension In mm



Heat Sink (Clear Mounting Inserts $\Phi 3.3$ mm Through): 116.8*61*25.4 FBL254 (M-B012) G6620090204
 Thermal PAD PF01: PMP-P400 60*115.8*0.23 (G6135041073)
 Screw Nut K320N: M3*20L (G75A1300052) & NH+WOM3*P0.5N (G75A2440392)

Heat Sink CMLH01

All Dimension In mm



Heat Sink: 116.8*76.2*25.4 CMLH01 (G6621100202)
 Thermal PAD PF01: PMP-P400 60*115.8*0.23 (G6135041073)
 Screws: SMP4X8N M4*8mm (G75A3300992) & Washer (G75A47A0832)

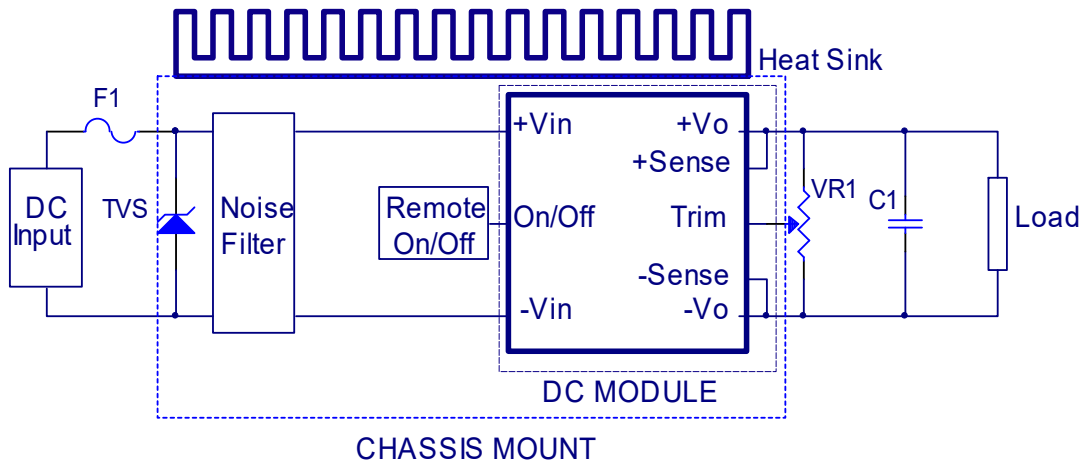


CQB75W8 CMFC(D)Series Application Note V11

10. Safety & EMC

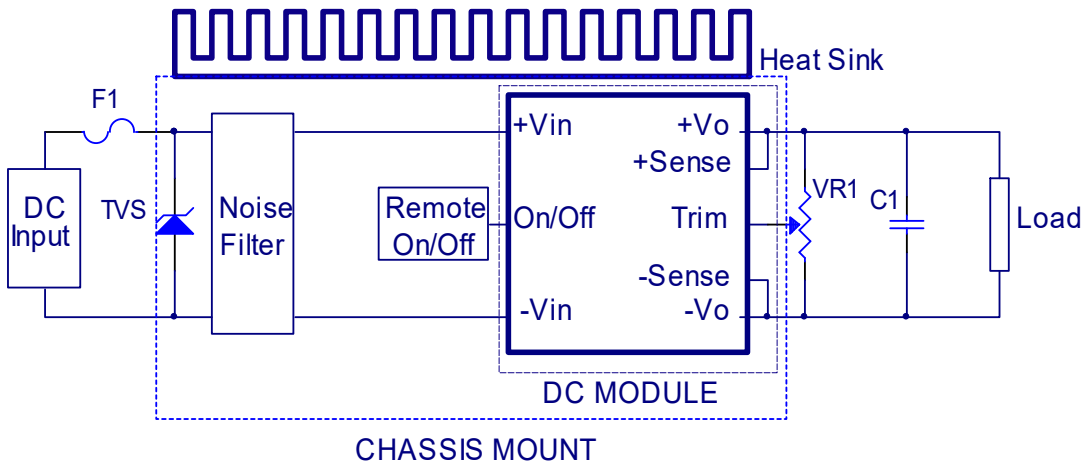
10.1 Input Fusing and Safety Considerations

The CQB75W8-36SXX-CMFC(D) series converters have no internal fuse. In order to achieve maximum safety and system protection, always use an input line fuse. We recommended a 12A time delay fuse for all models. Chassis mount module have a transient voltage suppressor diode (TVS) across the input terminal to protect the unit against surge or spike voltage and input reverse voltage (as shown).



10.2 EMC Considerations

- (1) EMI Test standard: EN55032 Class A / EN50121-3-2:2016 Conducted & Radiated Emission
Test Condition: Input Voltage: 36Vdc, Output Load: Full Load



Connection circuit for EN55032 Class A / EN50121-3-2 EMI testing

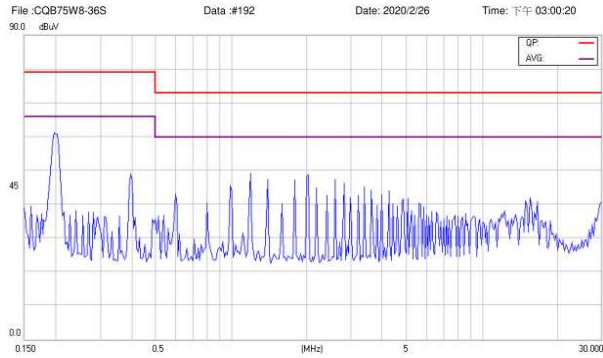


CQB75W8 CMFC(D)Series Application Note V11

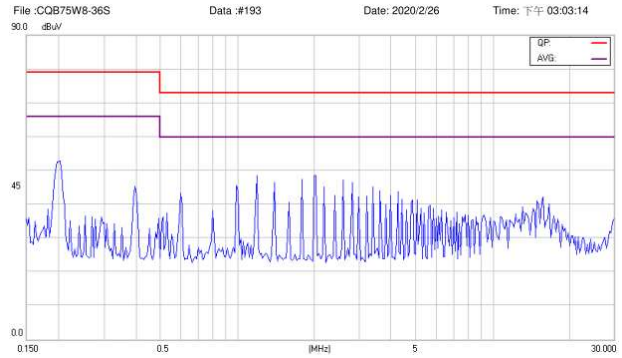
Input Conducted Emission:

CQB75W8-36S12-CMFC

Line

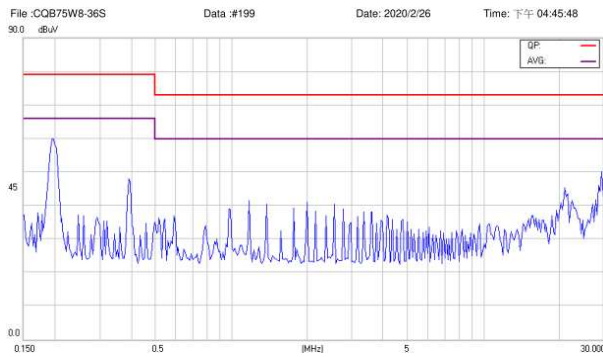


Neutral



CQB75W8-36S15-CMFC

Line

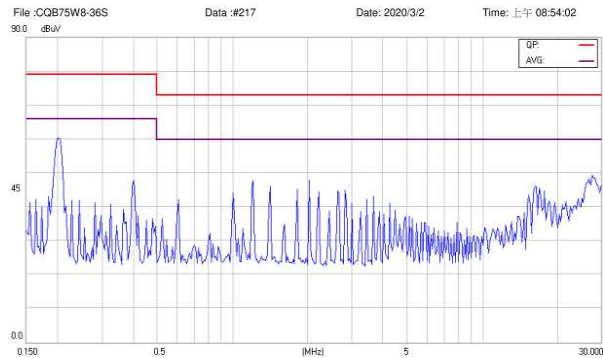


Neutral

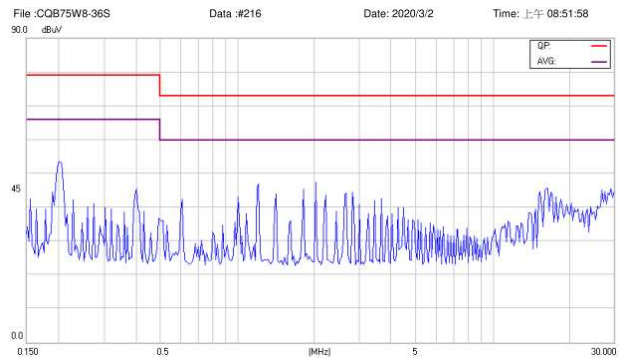


CQB75W8-36S24-CMFC

Line



Neutral

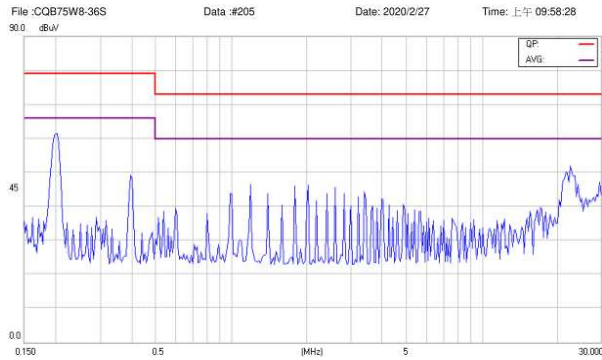




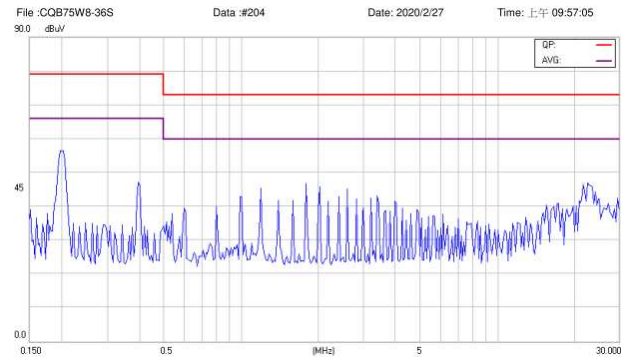
CQB75W8 CMFC(D)Series Application Note V11

CQB75W8-36S28-CMFC

Line

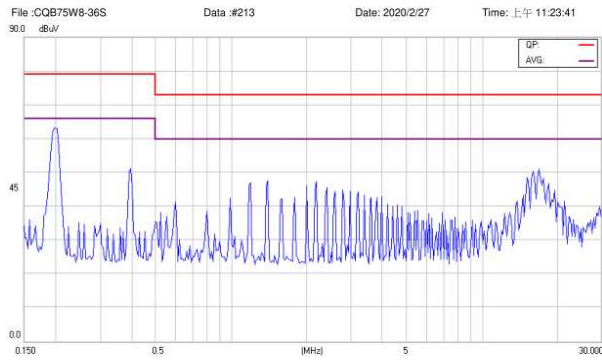


Neutral

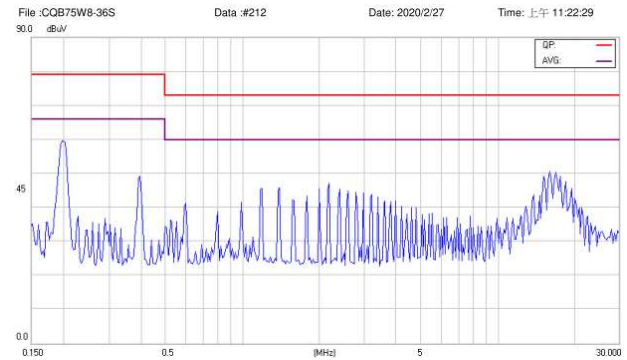


CQB75W8-36S48-CMFC

Line



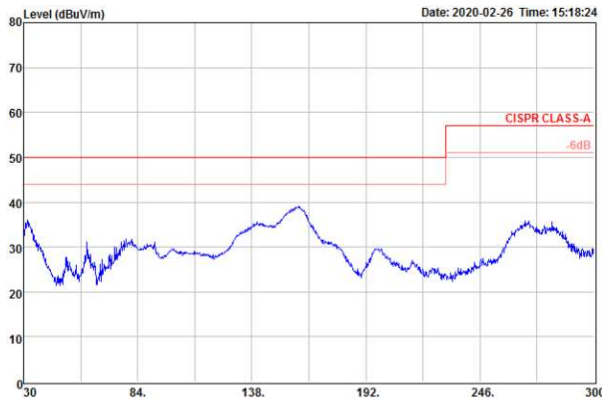
Neutral



Radiated Emission:

CQB75W8-36S12-CMFC

Vertical



Horizontal





CQB75W8 CMFC(D)Series Application Note V11

CQB75W8-36S15-CMFC

Vertical



Horizontal

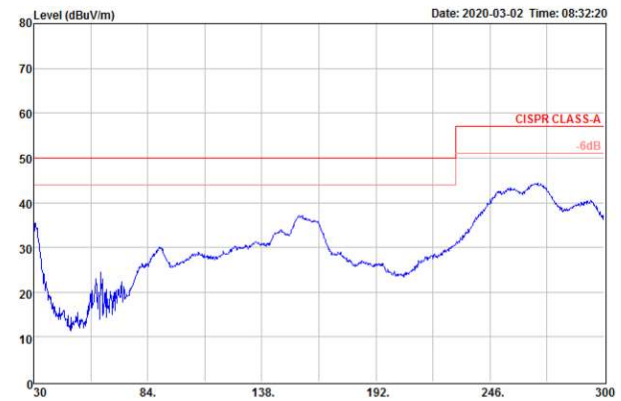


CQB75W8-36S24-CMFC

Vertical



Horizontal



CQB75W8-36S28-CMFC

Vertical



Horizontal

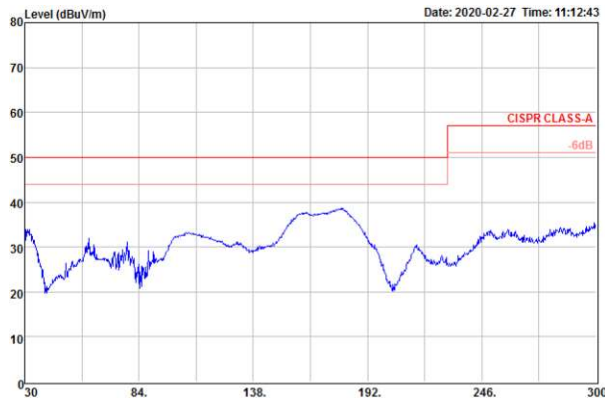




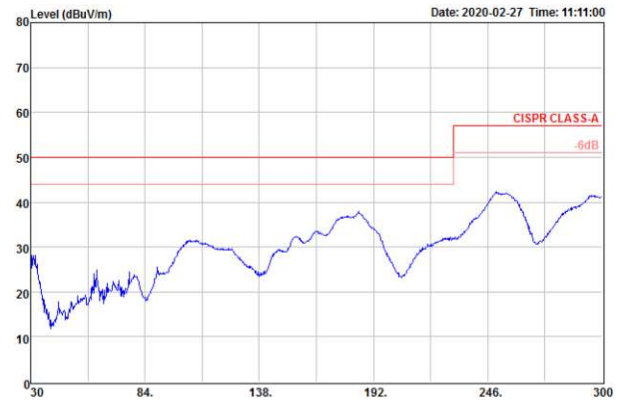
CQB75W8 CMFC(D)Series Application Note V11

CQB75W8-36S48-CMFC

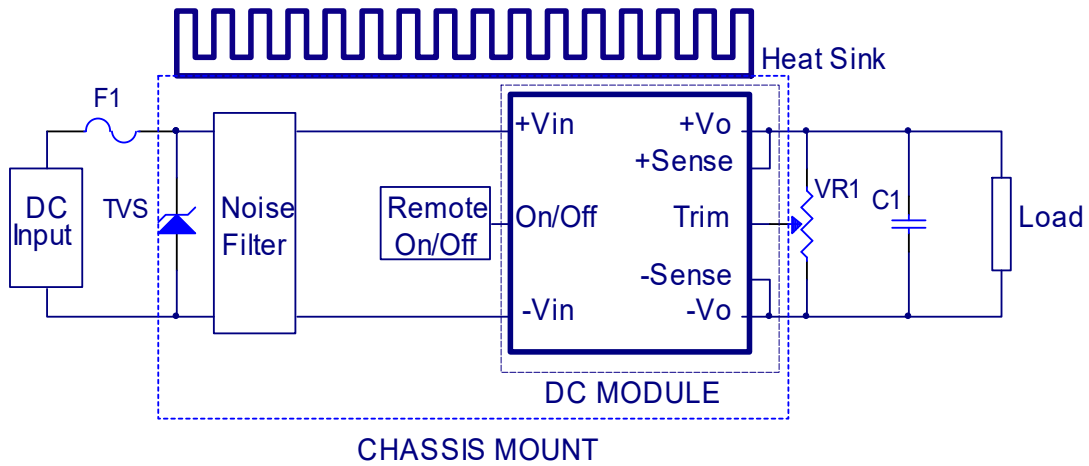
Vertical



Horizontal



- (2) EMI Test standard: EN50121-3-2:2016 Output Conducted
Test Condition: Input Voltage: 36Vdc, Output Load: Full Load



Connection circuit for EN50121-3-2:2016 Output Conducted testing

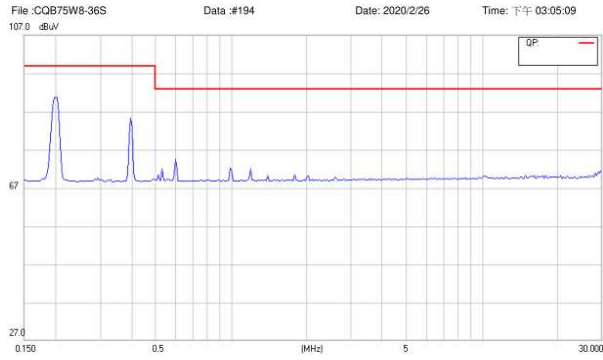


CQB75W8 CMFC(D)Series Application Note V11

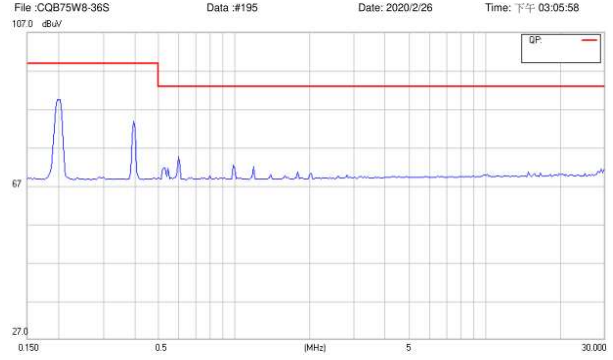
Output Conducted Emission:

CQB75W8-36S12-CMFC

Positive

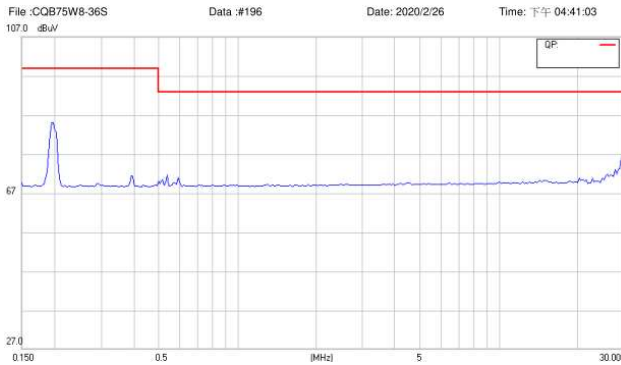


Negative

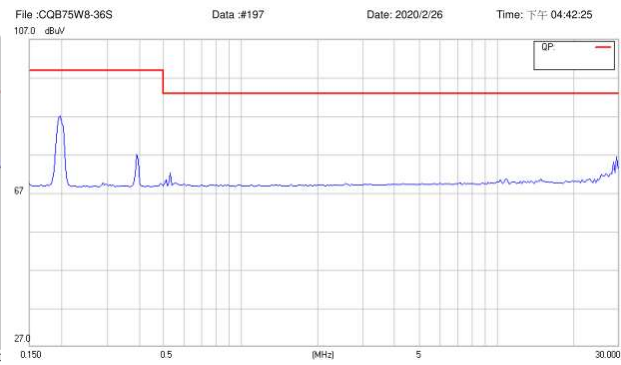


CQB75W8-36S15-CMFC

Positive

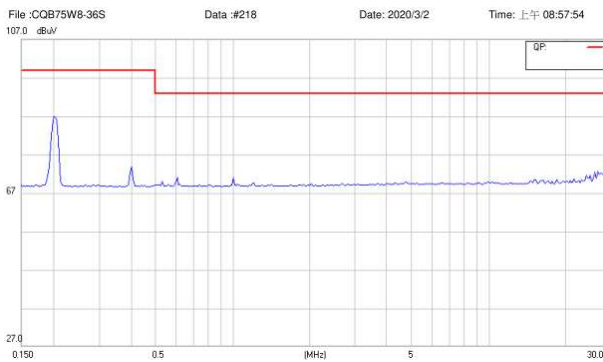


Negative

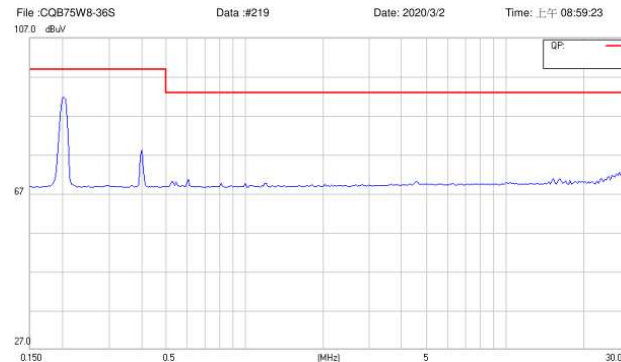


CQB75W8-36S24-CMFC

Positive



Negative

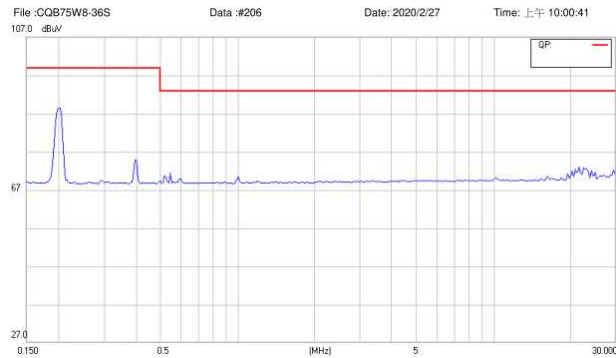




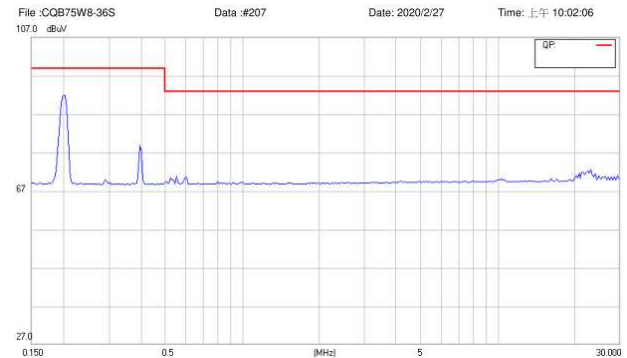
CQB75W8 CMFC(D)Series Application Note V11

CQB75W8-36S28-CMFC

Positive

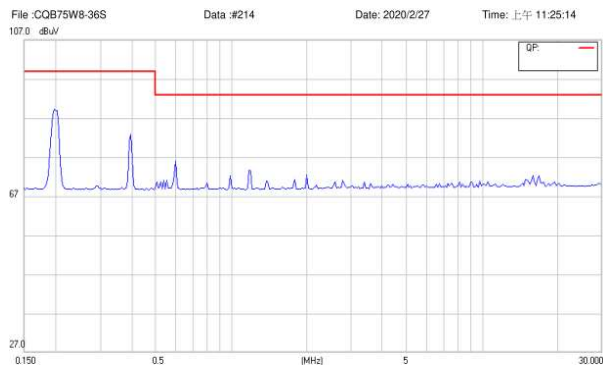


Negative

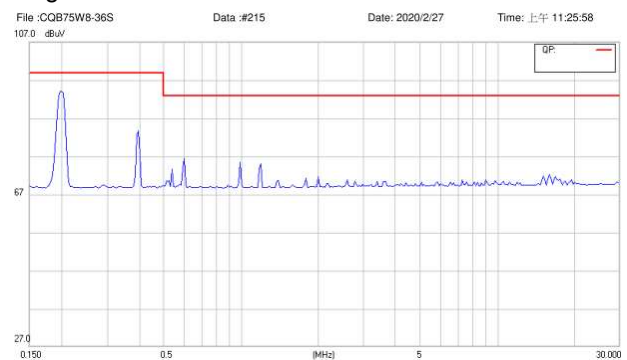


CQB75W8-36S48-CMFC

Positive



Negative



Headquarters:

14F, No.306, Sec.4, Hsin Yi Rd.
Taipei, Taiwan
Tel: 886-2-27086210
Fax: 886-2-27029852
E-mail: sales@cincon.com.tw
Web Site: <https://www.cincon.com>

CINCON ELECTRONICS CO., LTD.

Factory:

No. 8-1, Fu Kung Rd.
Fu Hsing Industrial Park
Fu Hsing Hsiang,
ChangHua Hsien, Taiwan
Tel: 886-4-7690261
Fax: 886-4-7698031

Cincon North America:

1655Mesa Verde Ave. Ste 180
Ventura, CA93003
Tel: 805-639-3350
Fax: 805-639-4101
E-mail: info@cincon.com